

### Receiver

### From

Society  
Reference  
Address  
Phone  
Fax  
E-mail

#### Item n° :

60179853

#### Model :

K 55/200 T IE3

#### Pump data

MEI  $\geq$  0,70

Pressure rating : 8 bar (800 kPa)

Min. fluid temperature : -15 °C

Max. fluid temperature : 110 °C

Max. Ambient temperature : 40 °C

#### Requested data

Flow :

Head :

Fluid : Water

Fluid Temperature : 20 °C

Density : 998,3 kg/m<sup>3</sup>

Kinematic viscosity : 1,005 mm<sup>2</sup>/s

Vapor pressure : 2,34 kPa

#### Hydraulic data (duty point)

Flow :

Head :

NPSH :

Shaft power P<sub>2</sub> :

Efficiency :

#### Materials

Pump body Cast iron 200 UNI ISO 185

Support Cast iron 200 UNI ISO 185

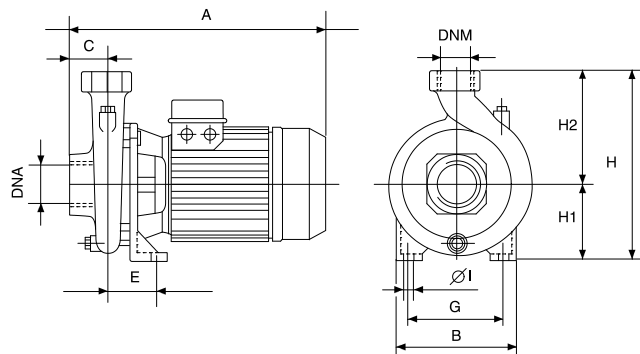
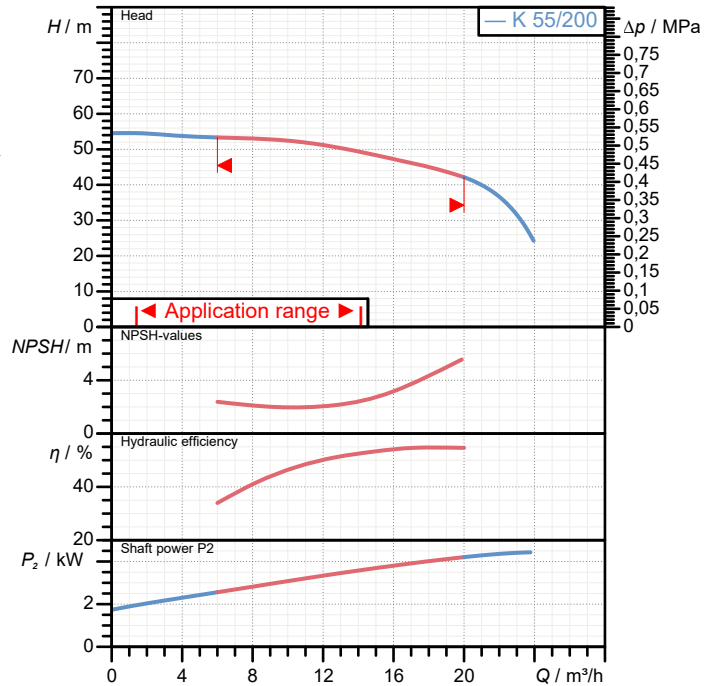
Impeller Technopolymer B

Mechanical seal Carbon/Ceramic

OR ring EPDM Rubber

Shaft with rotor AISI 303 X10 CrNiS 1809 UNI 6900/71

#### Curve tolerance according to ISO 9906



Weight : 39 kg

#### Motor data

Motor brand : DAB

Nominal power P<sub>2</sub> : 4 kW

Rated speed : 2.880 1/min

Rated voltage : 3~ 400 V 50 Hz

Nominal current : 9,4 A

Degree of protection : IP 55

#### Dimensions in mm

A	425
B	250
C	55
DNA	2" G
DNM	1 1/4" G
E	86
G	175
H	320
H1	135
H2	185
IØ	14

#### Pump connection

Suction side : 2" G / 8 bar (800 kPa)

Discharge side : 1" 1/4 G / 8 bar (800 kPa)



# PERFORMANCE CURVES

2021-04-23

Page 2 / 3

DAB PUMPS S.p.A.  
Via Marco Polo, 14 - 35035 Mestrino (PD), Italy  
Tel. +39 049 5125000 - Fax +39 049 5125950  
www.dabpumps.com

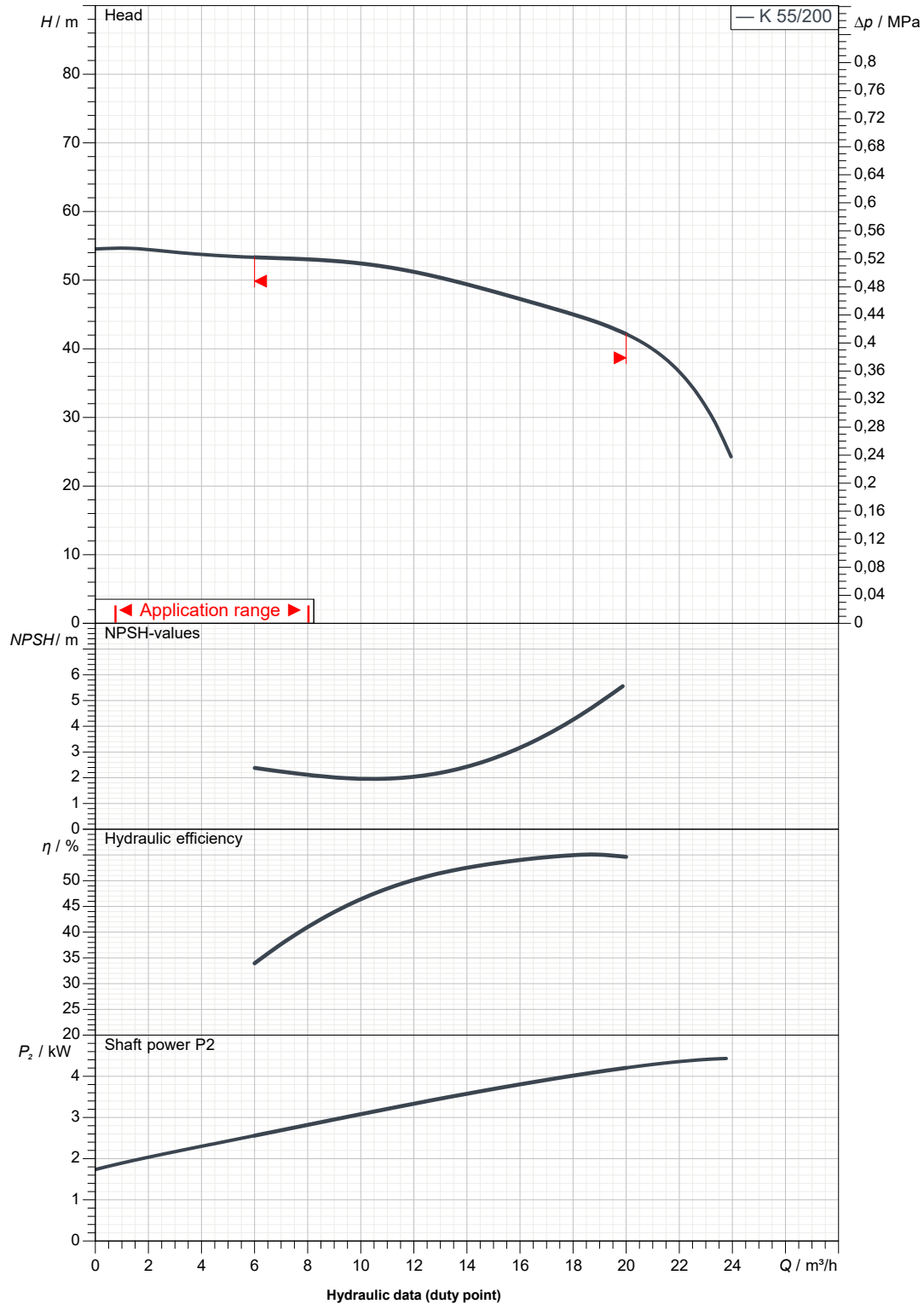
Receiver

From

Society  
Reference  
Address  
Phone  
Fax  
E-mail

## K 55/200 T IE3

Curve tolerance according to ISO 9906



Suction side :  
2" G  
8 bar (800 kPa)

Discharge side :  
1" 1/4 G  
8 bar (800 kPa)

Flow :

Head :

Rated speed :  
2.880 1/min

MAIN\_PROJECT\_TITLE

BUSINESS\_PROCESS\_IC

OWNER\_

ISSUE\_DATE



# DIMENSIONAL DRAWING

DAB PUMPS S.p.A.  
Via Marco Polo, 14 - 35035 Mestrino (PD), Italy  
Tel. +39 049 5125000 - Fax +39 049 5125950  
www.dabpumps.com

2021-04-23

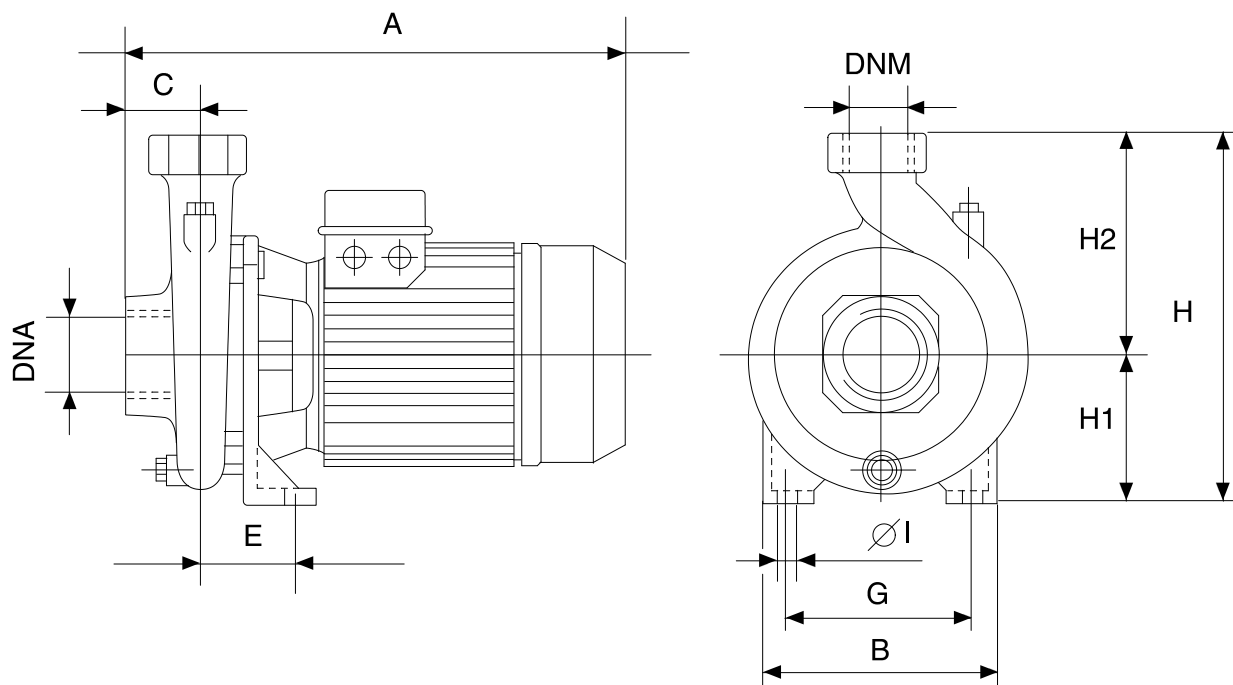
Page 3 / 3

Receiver

From

Society  
Reference  
Address  
Phone  
Fax  
E-mail

## K 55/200 T IE3



### Dimensions in mm

### Pump connection

1	A	425					
2	B	250					Suction
3	C	55					2" G
4	DNA	2" G					8 bar (800 kPa)
5	DNM	1 1/4" G					
6	E	86					Discharge
7	G	175					1" 1/4 G
8	H	320					8 bar (800 kPa)
9	H1	135					
10	H2	185					
11	Ø	14					
12							

MAIN\_PROJECT\_TITLE

BUSINESS\_PROCESS\_ID

OWNER

ISSUE\_DATE