

Receiver

From

Society
Reference
Address
Phone
Fax
E-mail

Item n° :

1D7311GAX

Model :

CM-G 125-1560/A/BAQE/7,5 IE3

Pump data

MEI ≥

Pressure rating : PN 16
Min. fluid temperature : -10 °C
Max. fluid temperature : 140 °C
Max. Ambient temperature : 40 °C

Requested data

Flow :
Head :
Fluid (%) :
Fluid Temperature : 20 °C
Density : 998,3 kg/m³
Kinematic viscosity : 1,005 mm²/s
Vapor pressure : 2,34 kPa

Real duty point

Flow :
Head :
NPSH :
Shaft power P2 :
Efficiency :

Materials

Pump body : Cast iron 250 UNI ISO 185
Support : Cast iron 250 UNI ISO 185
Impeller : Cast iron 250 UNI ISO 185
Mechanical seal : SEE "SHAFT SEAL" SECTION
OR ring : EPDM Rubber
Shaft with rotor : AISI 304 X5 Cr Ni 1810 UNI 6900/71

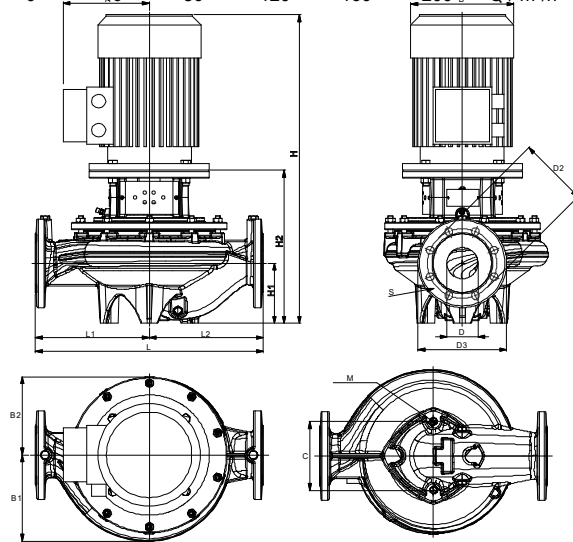
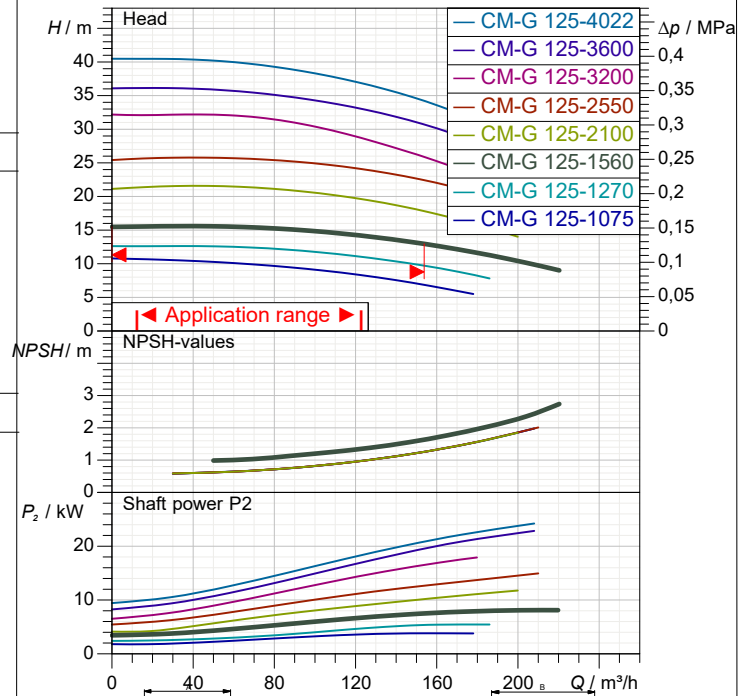
Shaft seal

Type : Rubber
Stationary part : Silicon carbide
Rotating part : Carbon
Elastomer : EPDM

Motor data

Nominal power P2 : 7,5 kW
Rated speed : 1.463 1/min
Rated voltage : 3~ 400 V 50 Hz
Nominal current : 14,6 A
Degree of protection : IP 55

Curve tolerance according to ISO 9906



Weight : 218 kg

Dimensions in mm

A	188	H1	215
B1	252	H2	498
B2	204	L	620
C	230	L1	310
D	125	L2	310
D2	210	M	M16
D3	250	S	8 x Ø18
H	934,5		

Pump connection

Suction side : DN 125 / PN 16
Discharge side : DN 125 / PN 16



PERFORMANCE CURVES

2021-02-1€

Page 2 / 3

DAB PUMPS S.p.A.
Via Marco Polo, 14 - 35035 Mestrino (PD), Italy
Tel. +39 049 5125000 - Fax +39 049 5125950
www.dabpumps.com

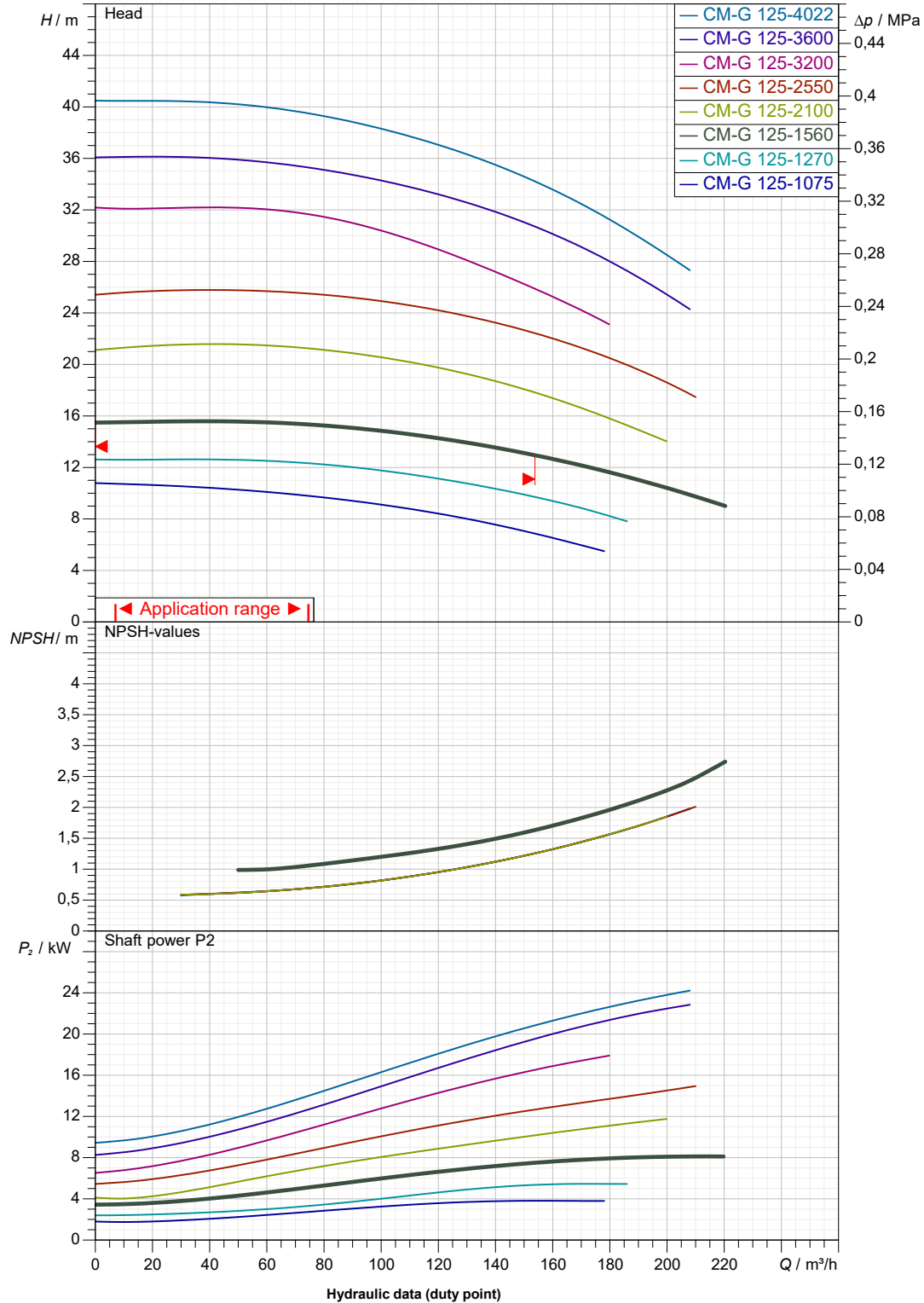
Receiver

From

Society
Reference
Address
Phone
Fax
E-mail

CM-G 125-1560/A/BAQE/7,5 IE3

Curve tolerance according to ISO 9906



Suction side :
DN 125
PN 16

Discharge side :
DN 125
PN 16

Flow :

Head :

Rated speed :
1.463 1/min

MAIN_PROJECT_TITLE

BUSINESS_PROCESS_ID

OWNER_

ISSUE_DATE



DIMENSIONAL DRAWING

DAB PUMPS S.p.A.
Via Marco Polo, 14 - 35035 Mestrino (PD), Italy
Tel. +39 049 5125000 - Fax +39 049 5125950
www.dabpumps.com

2021-02-1€

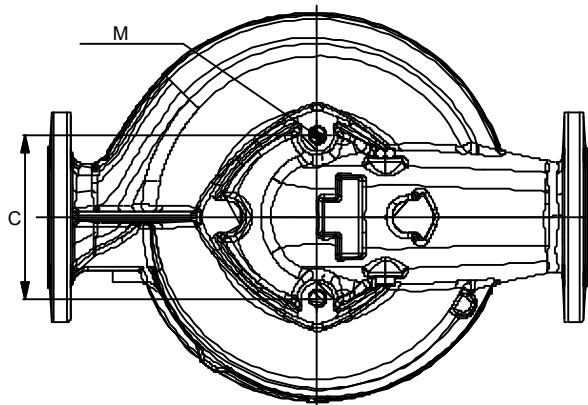
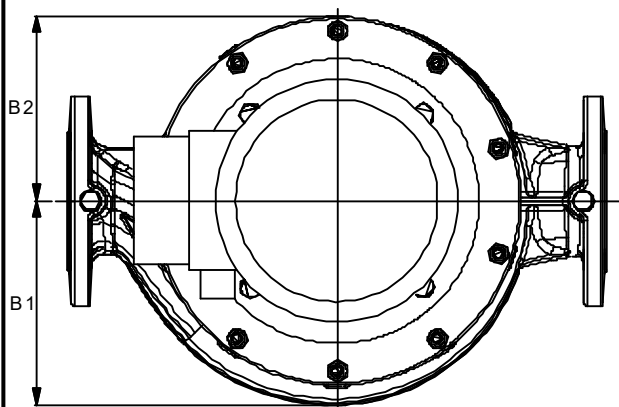
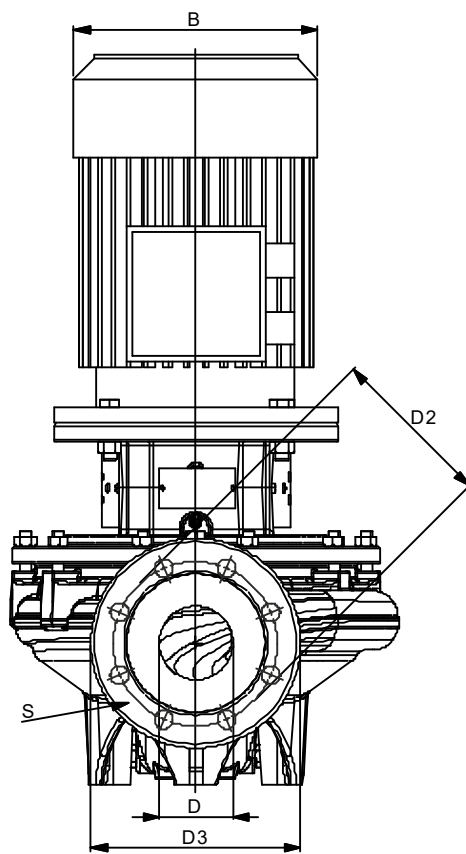
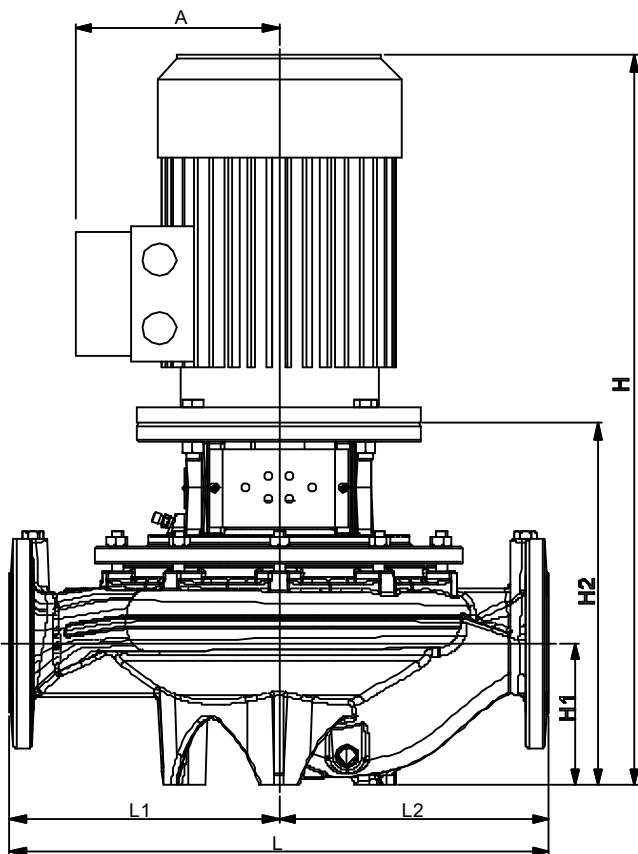
Page 3 / 3

Receiver

From

Society
Reference
Address
Phone
Fax
E-mail

CM-G 125-1560/A/BAQE/7,5 IE3



Dimensions in mm						Pump connection
1	A	188	L2	310		
2	B1	252	M	M16		Suction
3	B2	204	S	8 x Ø18		DN 125
4	C	230				PN 16
5	D	125				
6	D2	210				
7	D3	250				Discharge
8	H	934,5				DN 125
9	H1	215				PN 16
10	H2	498				
11	L	620				
12	L1	310				

MAIN_PROJECT_TITLE	BUSINESS_PROCESS_ID	OWNER	ISSUE_DATE
--------------------	---------------------	-------	------------