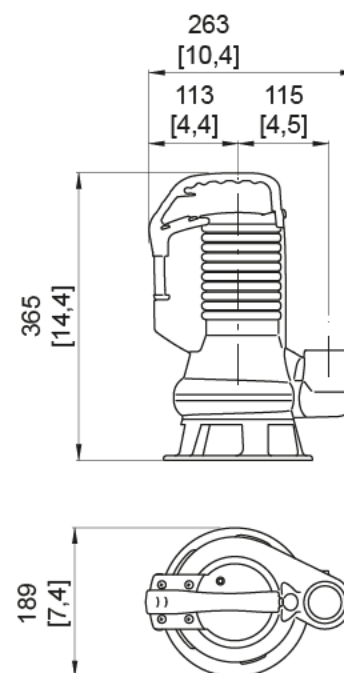
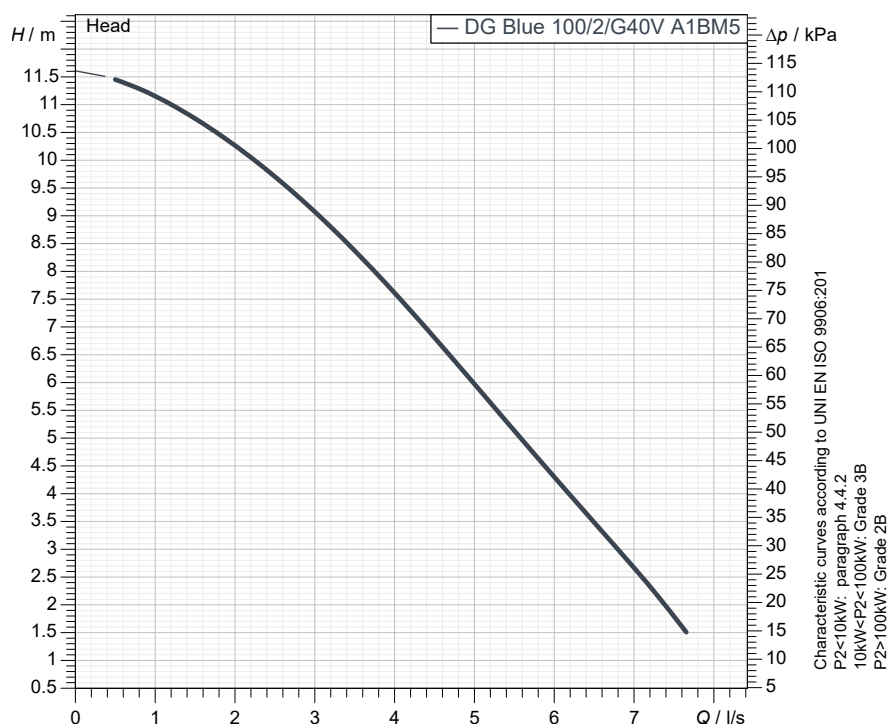




better together

Data sheet

**DG Blue 100/2/G40V A1BM5****blue**  
series**Technical specification****1~ 50 Hz**[ mm ]  
[ inch ]**Pump**

Series	Blue series
Pump name	DG Blue 100/2/G40V A1BM5
Configuration	NPTGB45H23N00NN
Standard	EN 809:2009
IECEX mark	

**Operating limits (standard pumps)**

Max. ambient temperature	40 °C
Max. density treated liquid	1100 kg/m <sup>3</sup>
pH treated liquid	6 ÷ 14
Max. start per hour (equally distributed)	30
Wet/dry use	WET
Max. acoustic pressure level	70 dB
Operating mode	S1 - Continuous use

**Motor data**

Rated voltage	230 V
Frequency	50 Hz
Motor phases	1~
Number of poles	2
Rated power P2	0.74 kW
Incoming power P1	1.20 kW
Rated current	5.6 A
rpm	2900 1/min
cos φ	0.97
Rated torque	2.4 Nm
Start	
Degree of protection	IP 68
Insulation class	F

**Construction materials**

Case	Cast iron EN-GJL 250
Shaft	Stainless steel - AISI 431
Hydraulic	Cast iron - EN-GJL 250
Impeller	Technopolymer
Painting/Coating	Bi-epoxy 150 μm
Screws	Stainless steel - Class A2-70
Gaskets	NBR
Foot base (if present)	Polypropylene

**Hydraulic**

Type	DG (Set-back Vortex)
Free passage	40 mm
Impeller type	Set-back Vortex impeller
Max. hydraulic efficiency	
Suction	-
Discharge	G 1" 1/2 -
Curve tolerance	UNI EN ISO 9906:2012

**Construction features**

Main cable	3G1
Control cable	-
Cable length	5 mt - Shuko plug
Mechanical seals	1 in silicon carbide (SiC) and 1 in alumina graphite (AL)
Additional drilling	-
Weight*	15.5 kg
Electrical variant	Thermal protection, capacitor and

\* cable and fixing system excluded

Rev. 0 - 16-12-2014

All data shown are not binding. Zenit reserves the right to change data and dimensions without notice.

Created on 2020-05-20

zenit.com

Page 1 / 3



better together

Data sheet

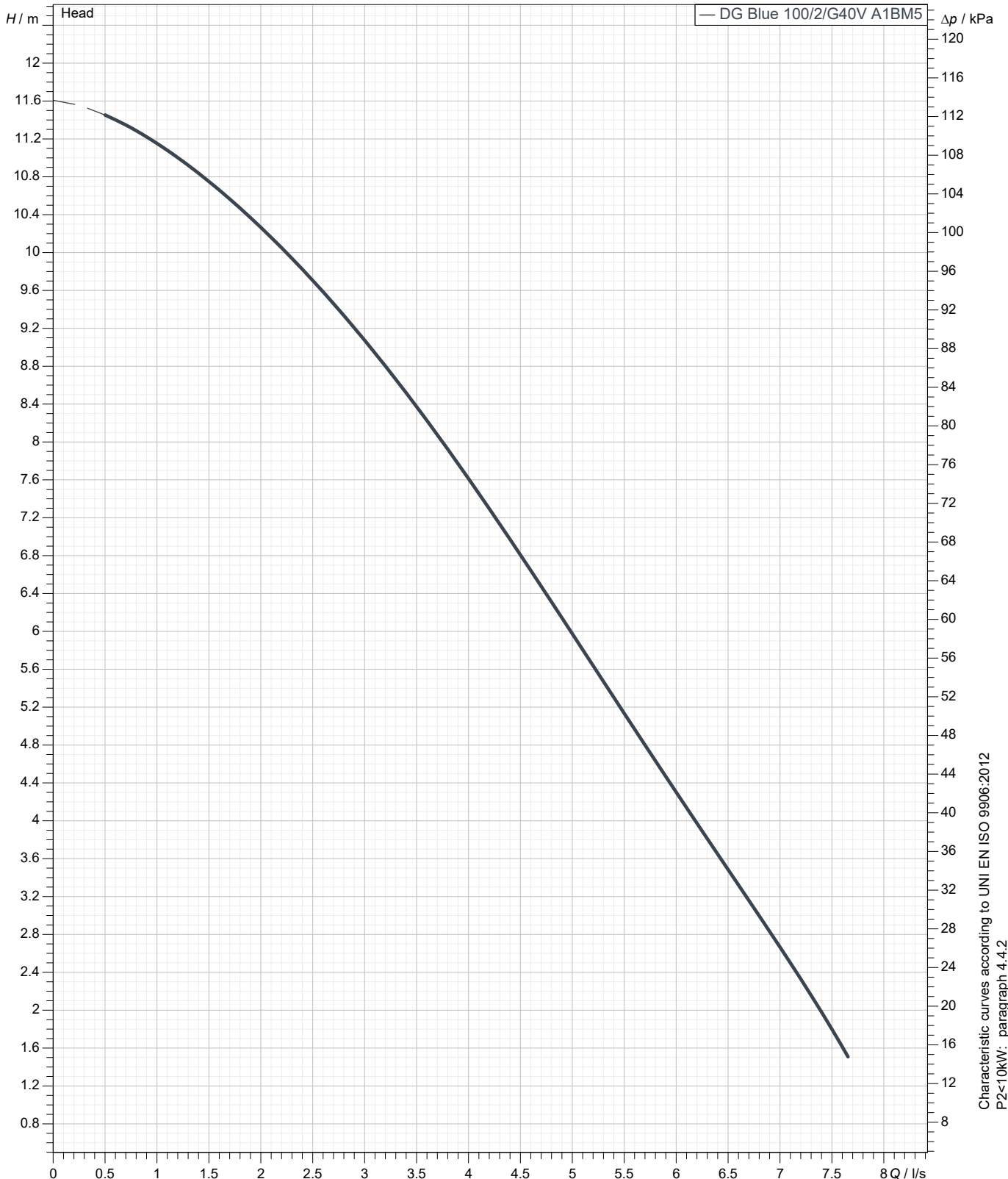
# DG Blue 100/2/G40V A1BM5

**blue**  
series

## Pump performance curves

1~ 50 Hz

Hydraulic type DG (Set-back Vortex)		Impeller type Set-back Vortex impeller		Free passage 40 mm	Discharge G 1" 1/2	Suction -
<b>DUTY POINT</b>						
Flow	Head	Shaft power P2	Hydraulic efficiency	Density 998.3 kg/m <sup>3</sup>	Viscosity 1.005 mm <sup>2</sup> /s	



Characteristic curves according to UNI EN ISO 9906:2012  
 P2<10kW: paragraph 4.4.2  
 10kW<P2<100kW: Grade 3B  
 P2>100kW: Grade 2B



better together

Data sheet

# DG Blue 100/2/G40V A1BM5

**blue**  
series

## Dimensional drawing

1~ 50 Hz

**Installation type** Installation with bottom coupling device - Vertical outlet + GTP

WET/DRY use: WET

Discharge: G 1" 1/2 -

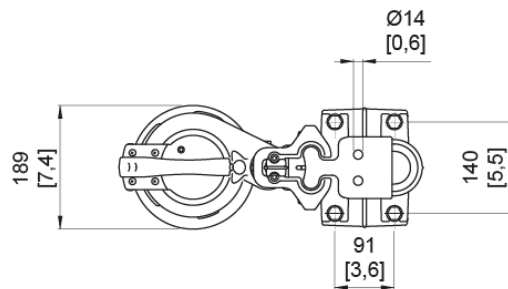
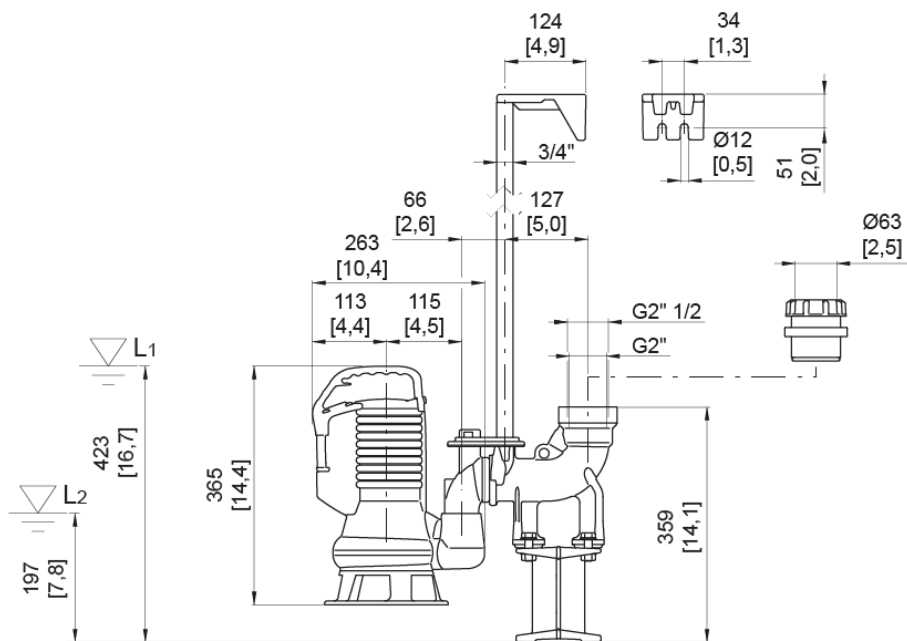
Suction: -

Pressure rating (suction/discharge): -

Accessory \* : DAC G40V/G50V-G65V 3/4"+GTP (P)

Accessory code \* : 9028.006

\* Accessory must be ordered separately



L1: Minimum operating level for continuous use  
L2: Minimum operating level for discontinuous use

[ mm ]  
[ inch ]