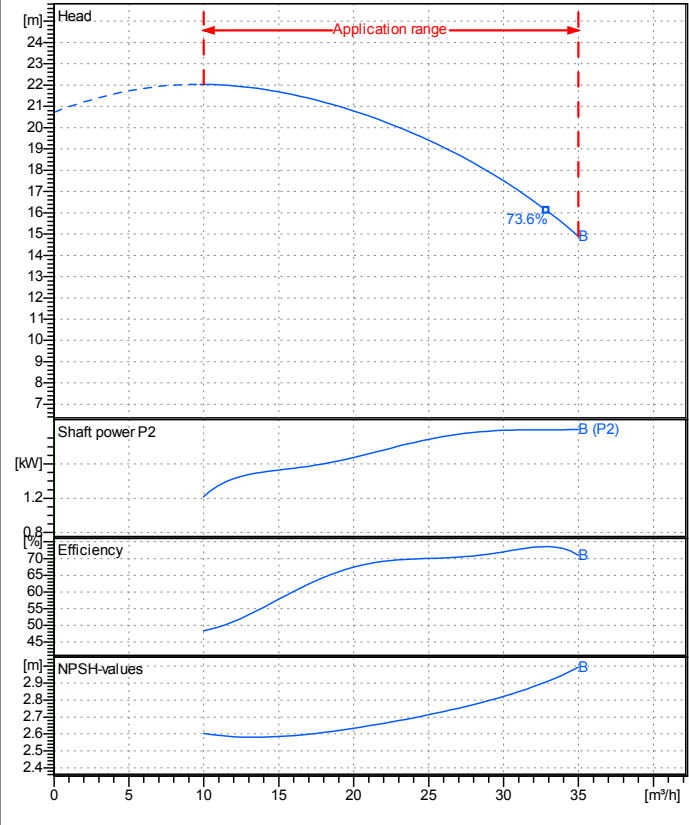


Company name
 Respons. Department
 Person in charge
 Phone number
 Fax no
 E-mail address

Receiver	From



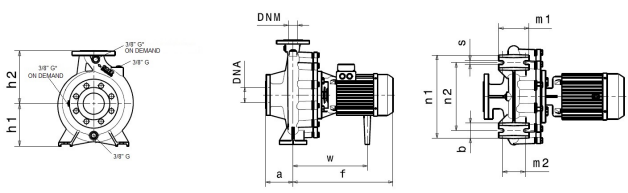
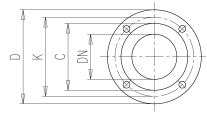
Operating data specification

Nominal flow	m³/h 0
Nominal head	m 0
Static head	m 0
NPSH - v value of plant	m 0
Inlet pressure	kPa 9.793
Fluid	Water, pure
Operating temperature t A	°C 20
Density at t A	kg/m³ 998.3
Kin. viscosity at t A	mm²/s 1.005

Pump		
Pump name	IRX40-125B	
Size	65/40/125	
MEI (Reg. 547/2002 EU) >	0,1	
Speed rpm	2900	
No of stages	1	
Impeller type		
Flow	Nominal	m³/h
	Max-	m³/h 35
	Min-	m³/h 10
Head	Nominal	m
	Max-	m 22
	Min-	m 14.9
Head H(Q=0)	m 20.7	
NPSH 3%	m	
Max. working pressure	kPa 203	
Shaft power	kW	
Efficiency	%	
Max absorbed power	kW 1.9999	

Materials Pump	
Shaft	Duplex Stainless steel (1.4362)
Impeller	Precision cast Stainless steel AISI 316 (1.4408)
Pump body	Cast Stainless steel AISI 316 (1.4408)
Seal disc	Cast Stainless steel AISI 316 (1.4408)
Gasket	Natural fiber
Mechanical seal	Q1Q1VG (SiC/SiC/FPM)

Dimensions in mm				
		DNM	DNA	
a	80			
b	50			
f	372	C	88	C 122
h1	112	D	150	D 185
h2	140	DN	40	DN 65
m1	100	K	110	K 145
m2	70	n°	4 x 19 mm	8 x 19 mm
n1	210			
n2	160			
s	14			
w	273			



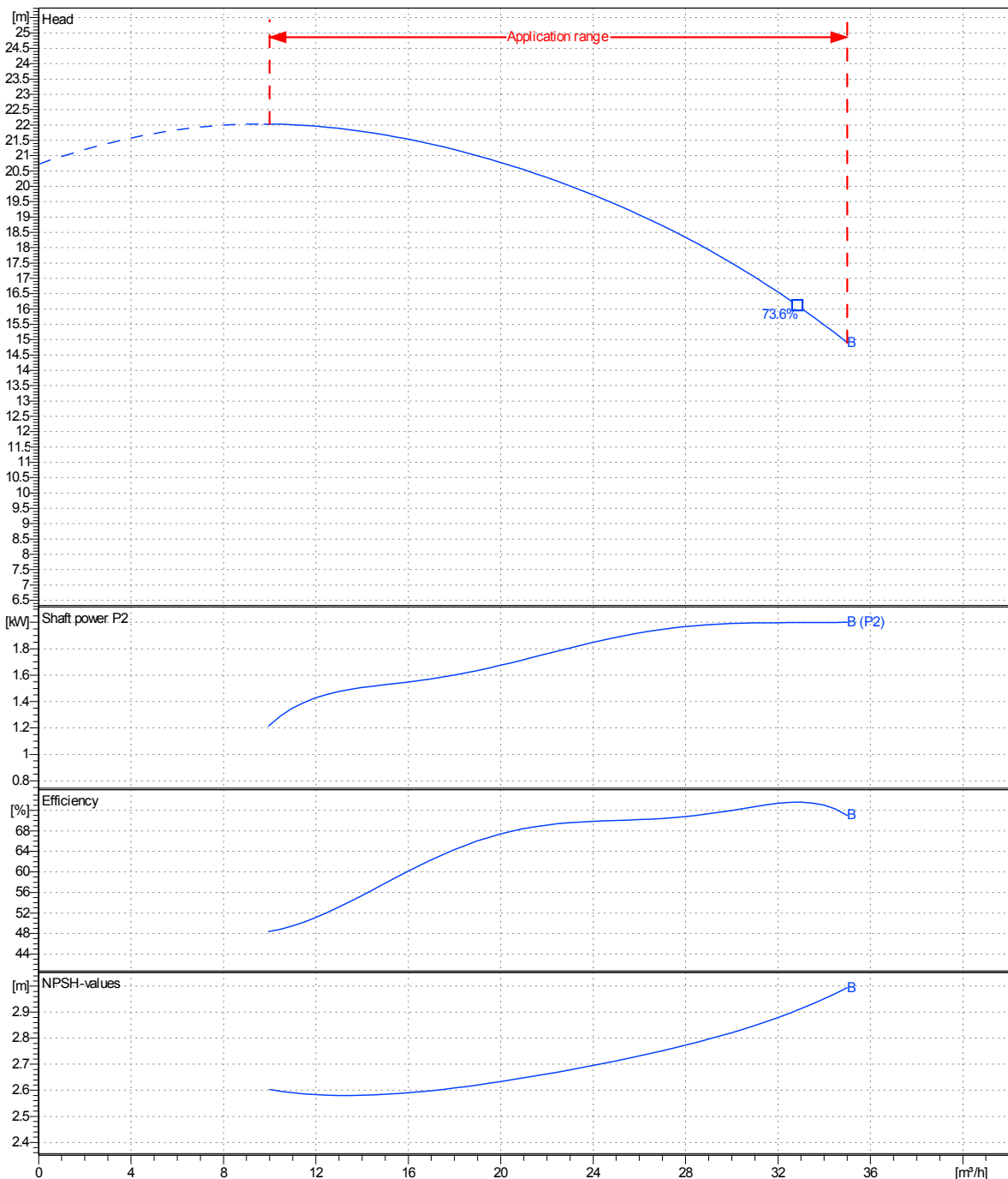
Motor		Manufacturer / Type		SAER 90-2P-3	
Efficiency	IEC 60034-30	IE2		Efficiency 4/4	83.2 %
Rated power	kW 2.2			Frame size	90
Number of poles	2			Speed	rpm 2850
Electric current	A 4.9 A			Hz	50
Electric voltage	V 400 V			3~	
Starting mode	Star-delta				
Degree of protection	IP 55	Insulation class		F	

Remarks:				
Project	Project ID	Created by	Created on	Last update
			1/17/2020	

Receiver	From
Company name	
Respons. Department	
Person in charge	
Phone number	
Fax no	
E-mail address	

Operating area	Flow	Head	Impeller type
Operating data specification	0 m ³ /h	0 m	Impeller construction: Closed
Pump data	m ³ /h	m	Sense of rotation: Clockwise from the drive end
			Outlet width: DN40
	Shaft power P2		Speed: rpm 2900
	Min. Max. η Max.	H(Q=0) η Max.	Frequency: Hz 50 Hz
	m ³ /h m ³ /h m ³ /h	m m	
	10 35 32.9	20.7 16.1	
		Max. η Max.	
		kW kW kW	
		2 2	

Performance data based to: Water, pure [100%]; 20°C; 998kg/m³; 1mm²/s UNI EN ISO 9906:2012 - Grade 3B



Project	Project ID	Created by	Created on	Last update
			1/17/2020	

Revision no

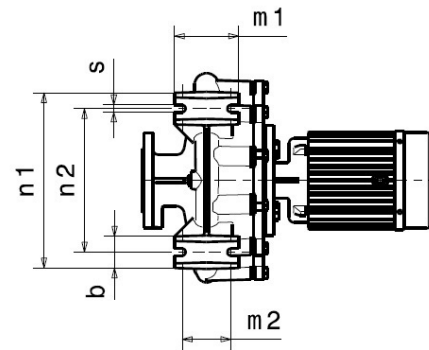
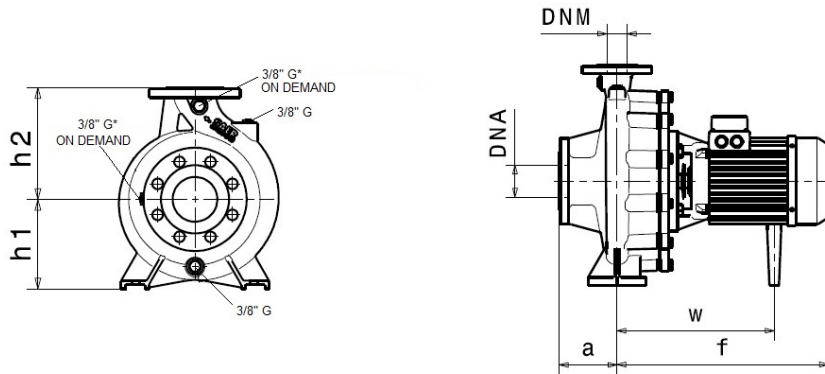
Pump dimensions

Connections

Suction side	Discharge port
DN65	DN40
PN10/P	PN10/P

Dimensions in mm

a	80
b	50
f	372
h1	112
h2	140
m1	100
m2	70
n1	210
n2	160
s	14
w	273



Disegni dimensionali e immagini non vincolanti. Saer si riserva il diritto di effettuare cambiamenti senza alcun preavviso. Dimensional drawing and picture are not binding. Saer reserves the right to make changes without prior notice.

Project

Project ID

Created by

Created on
1/17/2020

Last update