

Receiver
From

 Society
 Reference
 Address
 Phone
 Fax
 E-mail

Item n° :

60146064

Model :

K 55/200 T IE2

Pump data

 MEI \geq 0,70

Pressure rating : 8 bar (800 kPa)

Min. fluid temperature : -15 °C

Max. fluid temperature : 110 °C

Max. Ambient temperature : 40 °C

Requested data

Flow :

Head :

Fluid : Water

Fluid Temperature : 20 °C

 Density : 998,3 kg/m³

 Kinematic viscosity : 1,005 mm²/s

Vapor pressure :

Hydraulic data (duty point)

Flow :

Head :

NPSH :

 Shaft power P₂ :

Efficiency :

Materials

Pump body Cast iron 200 UNI ISO 185

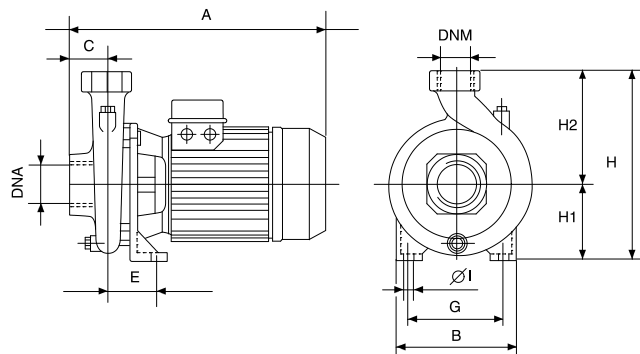
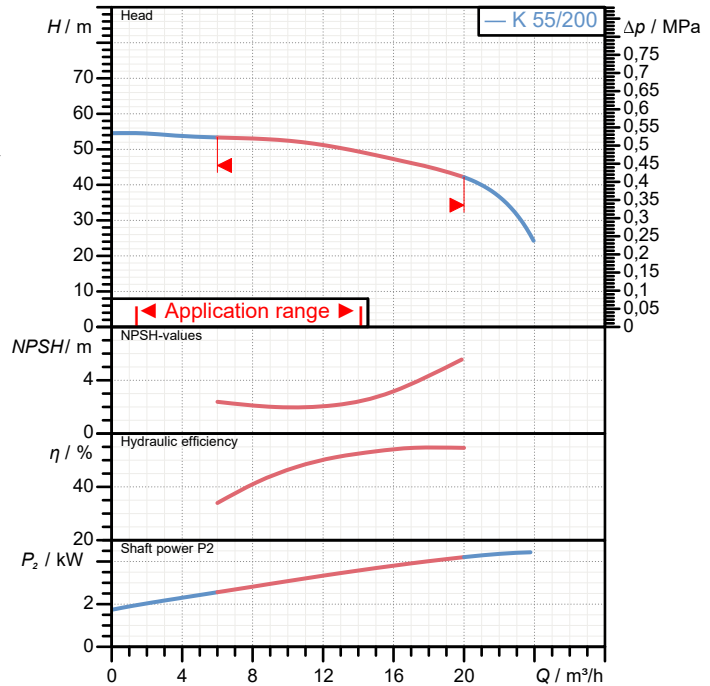
Support Cast iron 200 UNI ISO 185

Impeller Technopolymer B

Mechanical seal Carbon/Ceramic

OR ring EPDM Rubber

Shaft with rotor AISI 303 X10 CrNiS 1809 UNI 6900/71

Curve tolerance according to ISO 9906

Weight : 39 kg

Motor data

Motor brand : DAB

 Nominal power P₂ : 4 kW

Rated speed : 2.880 1/min

Rated voltage : 3~ 230 V 50 Hz

Nominal current : 16,3 A

Degree of protection : IP 55

Dimensions in mm

A	425
B	250
C	55
DNA	2" G
DNM	1 1/4" G
E	86
G	175
H	320
H1	135
H2	185
IØ	14

Pump connection

Suction side : 2" G / 8 bar (800 kPa)

Discharge side : 1" 1/4 G / 8 bar (800 kPa)

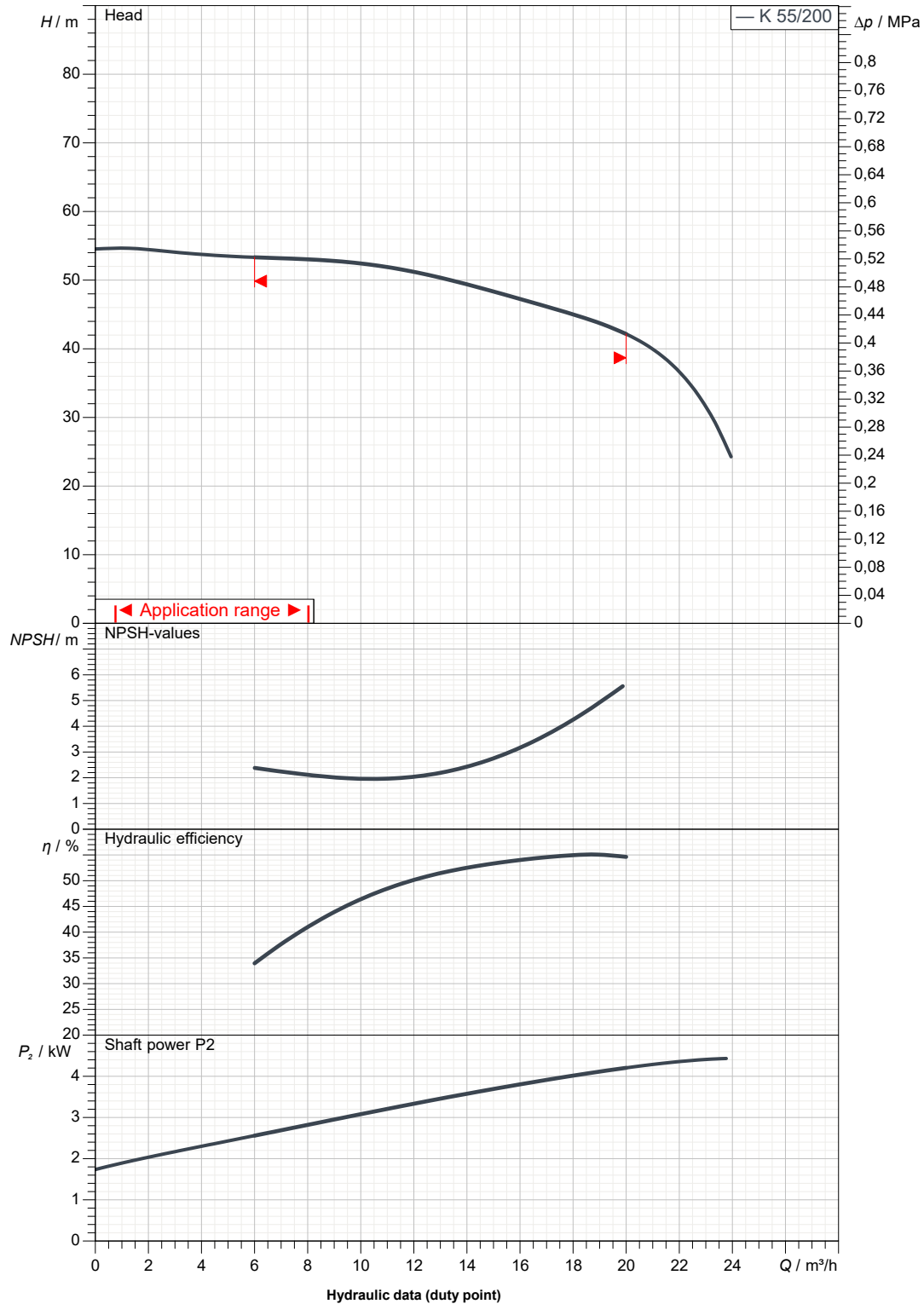
Receiver

From

 Society
 Reference
 Address
 Phone
 Fax
 E-mail

K 55/200 T IE2

Curve tolerance according to ISO 9906


 Suction side :
 2" G
 8 bar (800 kPa)

 Discharge side :
 1" 1/4 G
 8 bar (800 kPa)

Flow :

Head :

 Rated speed :
 2.880 1/min

MAIN_PROJECT_TITLE

BUSINESS_PROCESS_IC

OWNER_

ISSUE_DATE



DIMENSIONAL DRAWING

2020-01-2€

Page 3 / 3

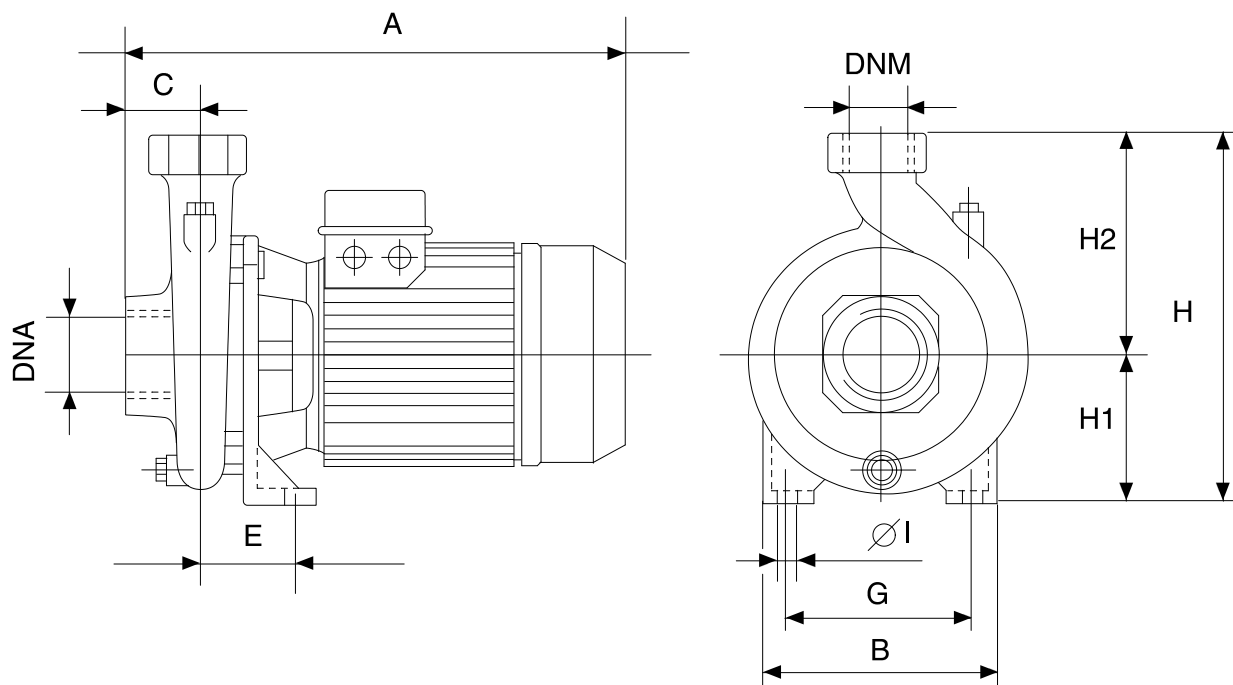
DAB PUMPS S.p.A.
Via Marco Polo, 14 - 35035 Mestrino (PD), Italy
Tel. +39 049 5125000 - Fax +39 049 5125950
www.dabpumps.com

Receiver

From

Society
Reference
Address
Phone
Fax
E-mail

K 55/200 T IE2



Dimensions in mm

Pump connection

1	A	425					
2	B	250					Suction
3	C	55					2" G
4	DNA	2" G					8 bar (800 kPa)
5	DNM	1 1/4" G					
6	E	86					Discharge
7	G	175					1" 1/4 G
8	H	320					8 bar (800 kPa)
9	H1	135					
10	H2	185					
11	Ø	14					
12							

MAIN_PROJECT_TITLE

BUSINESS_PROCESS_ID

OWNER

ISSUE_DATE