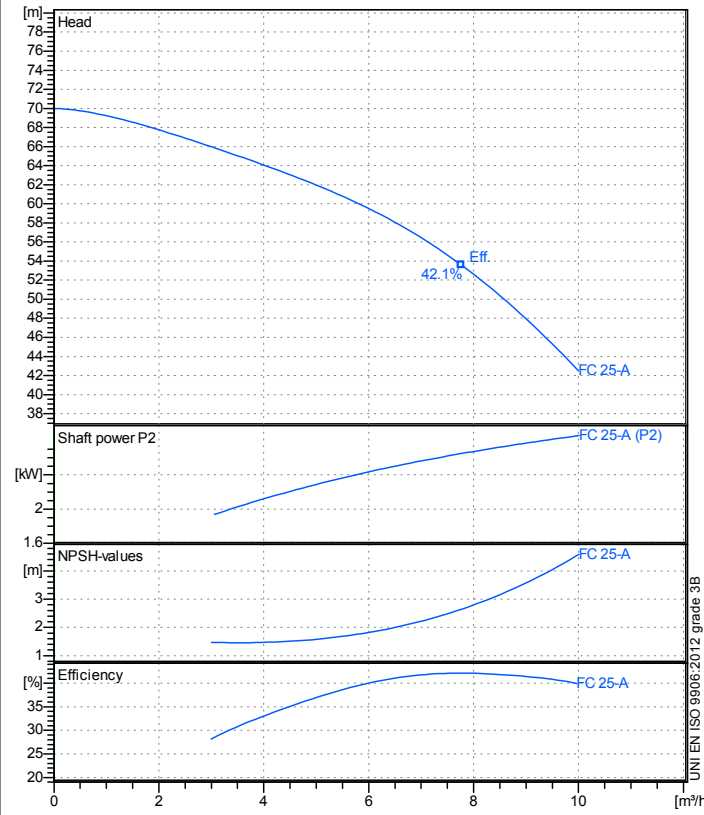


Company name  
 Respons. Department  
 Person in charge  
 Phone number  
 Fax no  
 E-mail address

Receiver	From



#### Operating data specification

Nominal flow	m³/h 0
Nominal head	m 0
Static head	m 0
NPSH - v value of plant	m 0
Inlet pressure	kPa 9.793
Fluid	Water, pure
Operating temperature t A	°C 20
Density at t A	kg/m³ 998.3
Kin. viscosity at t A	mm²/s 1.005

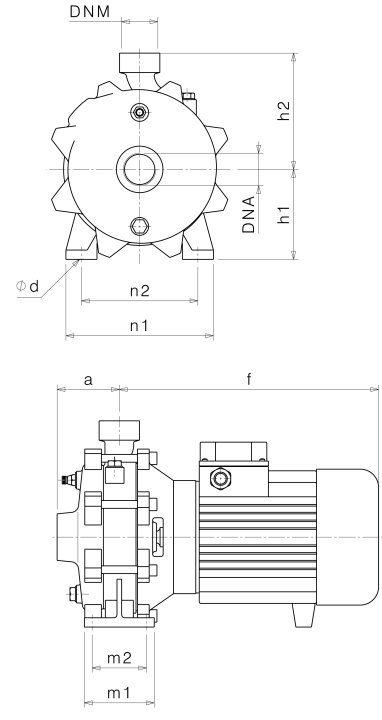
Pump		
Pump name	FC 25-2A	
Size		
Design		
Speed rpm	2850	
No of stages	2	
Impeller type		
Flow	Nominal	m³/h
	Max-	m³/h 10
	Min-	m³/h 0
Head	Nominal	m
	Max-	m 70
	Min-	m 42.5
Head H(Q=0)	m 70	
NPSH 3%	m	
Max. working pressure	kPa 686	
Shaft power	kW	
Efficiency	%	
Max absorbed power	kW 2.8611	

#### Materials Pump

Shaft	Stainless steel AISI 431 (1.4057)
Impeller	Brass
Pump body	Cast iron EN-GJL-200
Support	Aluminium
OR	NBR Rubber
Mechanical seal	BXPG (Gra/Cer/NBR)

#### Dimensions in mm

a	80
DNA	G 1 1/4"
DNM	G 1"
f	363
h1	115
h2	150
m1	90
m2	70
n1	190
n2	150
ød	12



<b>Motor</b>	Frame size	100 L	
Manufacturer / Type	SAER	100 L 2 - 3 3~	
Rated power	kW 3	Efficiency 4/4	- %
Electric current	A 7 A	Speed	rpm 2950
Electric voltage	V 400 V	3~	Hz 50
Starting mode	Unknown		
Degree of protection	IP 55	Insulation class	F

Remarks:

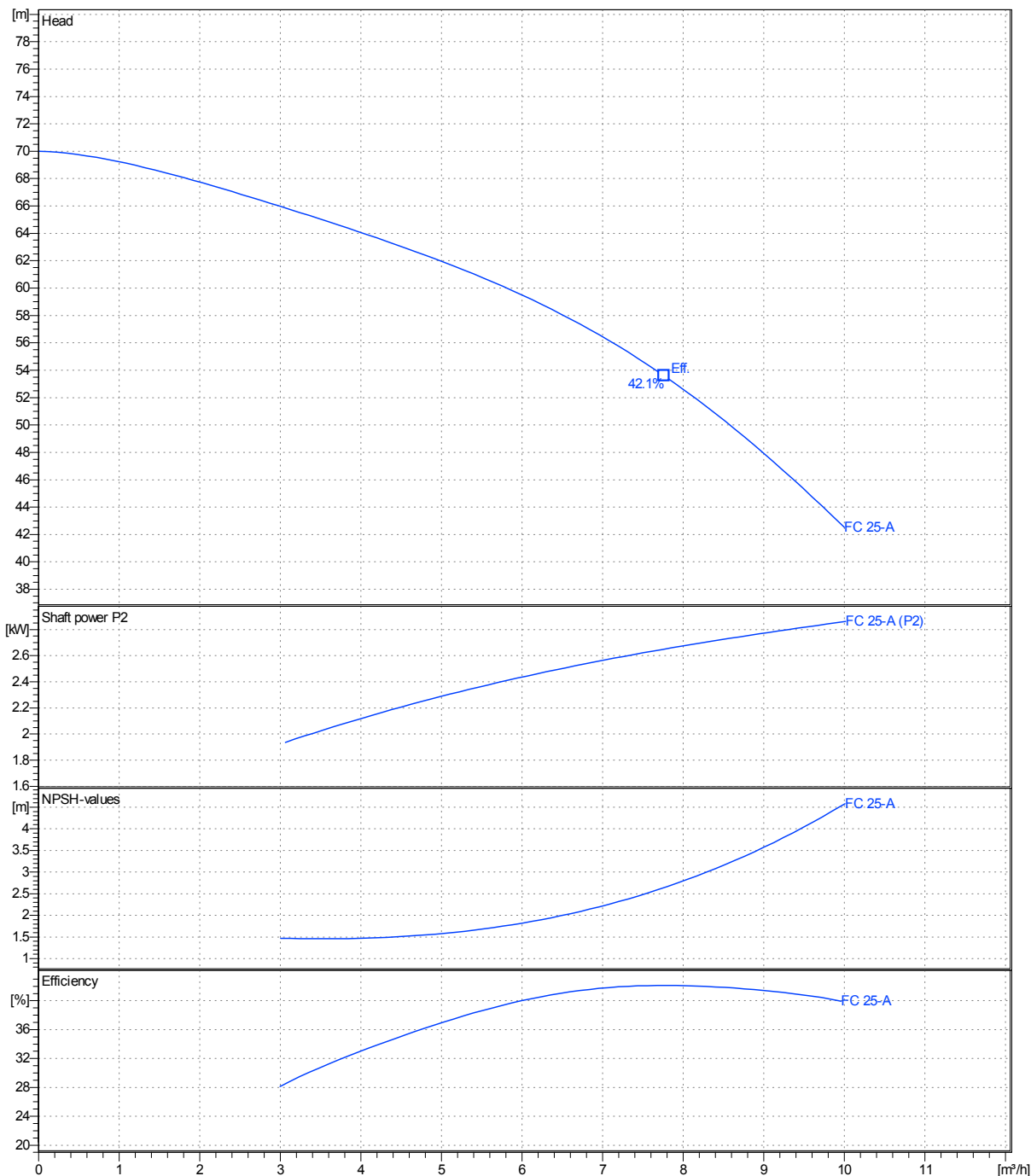
Project	Project ID	Created by	Created on	Last update
			<b>8/6/2019</b>	

<b>Receiver</b>	<b>From</b>
Company name	
Respons. Department	
Person in charge	
Phone number	
Fax no	
E-mail address	

Operating area	Flow	Head	Impeller type
Operating data specification	0 m <sup>3</sup> /h	0 m	Impeller construction
Pump data	m <sup>3</sup> /h	m	Sense of rotation
			Clockwise from the drive end
			Outlet width
			G1"
	Flow	Head	Shaft power P2
	Min. Max. $\eta$ Max.	H(Q=0) $\eta$ Max.	P2(Q=0) Max. $\eta$ Max.
	m <sup>3</sup> /h m <sup>3</sup> /h m <sup>3</sup> /h	m m	kW kW kW
	0 10 7.77	70 53.6	2.86 2.65
			Speed rpm 2850
			Frequency Hz 50 Hz

Performance data based to: Water, pure [100%]; 20°C; 998kg/m<sup>3</sup>; 1mm<sup>2</sup>/s

UNI EN ISO 9906:2012 - Grade 3B



Project	Project ID	Created by	Created on	Last update
			<b>8/6/2019</b>	