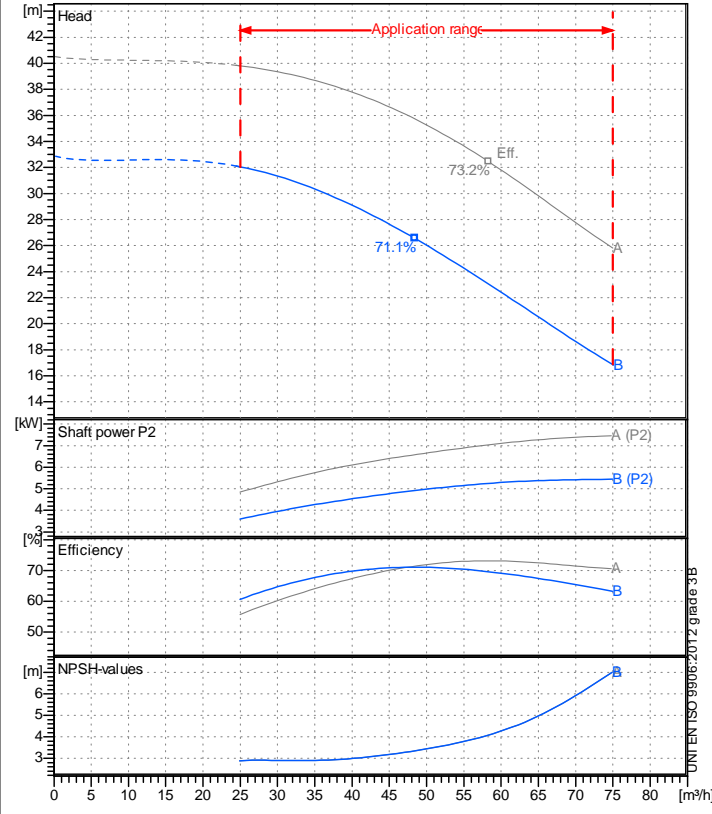


Company name  
 Respons. Department  
 Person in charge  
 Phone number  
 Fax no  
 E-mail address

Receiver	From



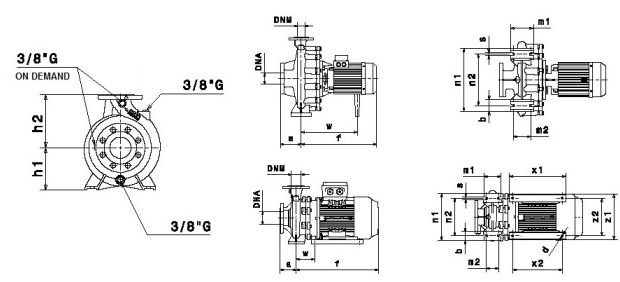
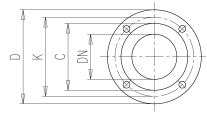
### Operating data specification

Nominal flow	m <sup>3</sup> /h 0
Nominal head	m 0
Static head	m 0
NPSH - v alue of plant	m 0
Inlet pressure	bar 0.09793
Fluid	Water, pure
Operating temperature t A	°C 20
Density at t A	kg/dm <sup>3</sup> 0.9983
Kin. viscosity at t A	mm <sup>2</sup> /s 1.005

Pump		IR50-160B	
Pump name	IR50-160B		
Size	65/50/160		
MEI (Reg. 547/2002 EU) >	0,4		
Speed 1/min	2900	No of stages	1
Impeller type			
Flow	Nominal	m <sup>3</sup> /h	
	Max-	m <sup>3</sup> /h	75.1
	Min-	m <sup>3</sup> /h	25
Head	Nominal	m	
	Max-	m	32
	Min-	m	16.8
Head H(Q=0)	m	32.9	
NPSH 3%	m		
Max. working pressure	bar	3.22	
Shaft power	kW		
Efficiency	%		
Max absorbed power	kW	5.4471	

Materials Pump	
Shaft	Stainless steel AISI 431 (1.4057)
Impeller	Cast iron EN-GJL-250
Pump body	Cast iron EN-GJL-250
Seal disc	Cast iron EN-GJL-250
Gasket	Natural fiber
Mechanical seal	BVEG (Grafito/Ossido Allumina/EPDM)

Dimensions in mm			
a	100	DNM	DNA
b	50	C	102 C 122
f	450	D	165 D 185
h1	160	DN	50 DN 65
h2	180	K	125 K 145
m1	100	n°	4 x 19 mm° 4 x 19 mm
m2	71		
n1	265		
n2	212		
s	13		
w	304		



Motor		Manufacturer / Type		SAER 112-2P-7,5	
Efficiency	IEC 60034-30	IE3			
Rated power	kW 5.5	Efficiency 4/4	89.2 %		
Number of poles	2	Frame size	112		
Electric current	A 10.9 A	Speed	1/min 2928		
Electric voltage	V 380 V	3~	Hz 50		
Starting mode	Unknown				
Degree of protection	IP 55	Insulation class	F		

Remarks:		Project ID	Created by	Created on	Last update
				2021-08-05	

Company name  
 Respons. Department  
 Person in charge  
 Phone number  
 Fax no  
 E-mail address

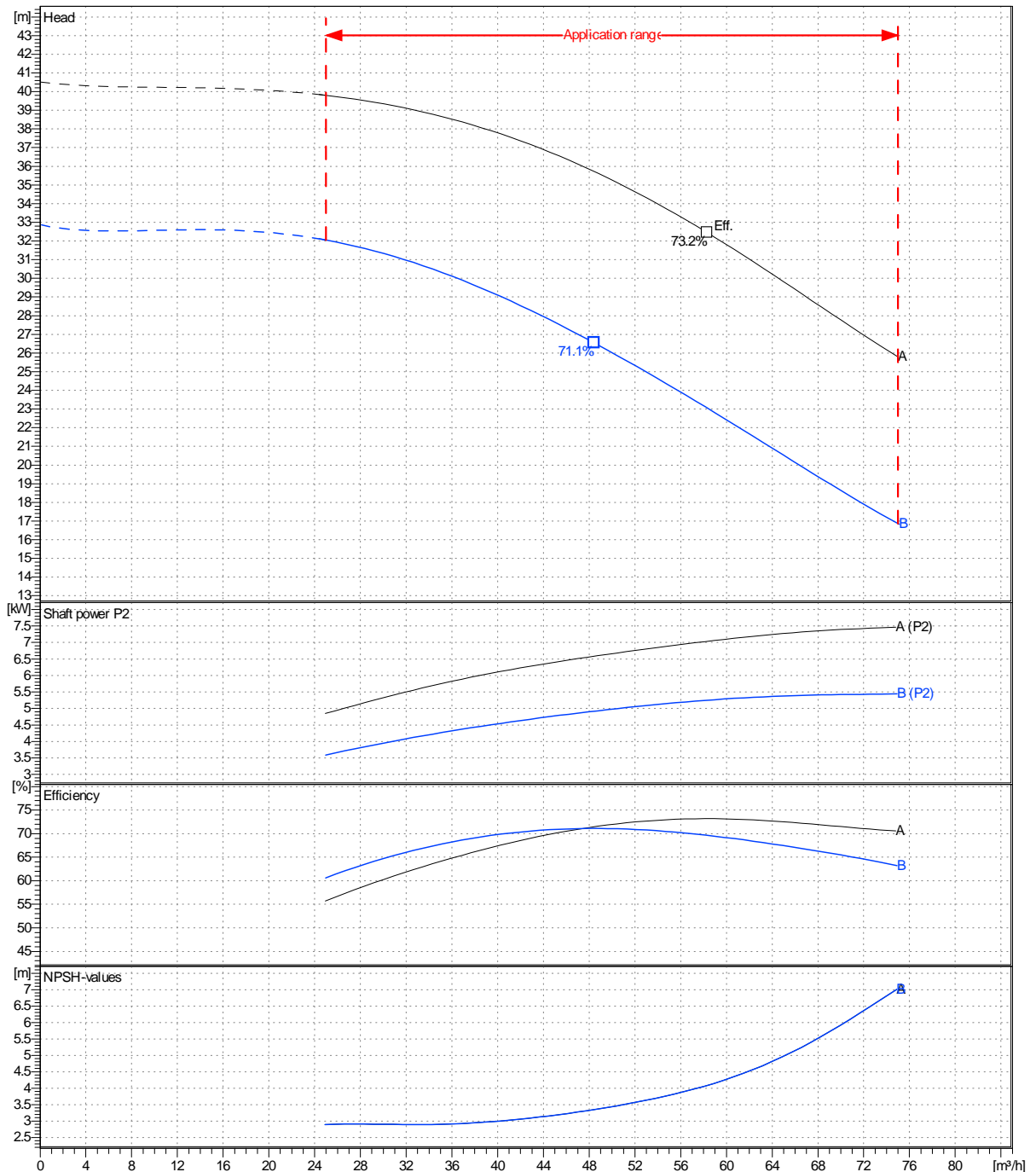
Receiver

From

Operating area	Flow	Head	Impeller type	
Operating data specification	0 m <sup>3</sup> /h	0 m	Impeller construction	Closed
Pump data	m <sup>3</sup> /h	m	Sense of rotation	Clockwise from the drive end
			Outlet width	DN50
	Flow	Head	Shaft power P2	Speed 1/min 2900
	Min. Max. $\eta$ Max.	H(Q=0) $\eta$ Max.	P2(Q=0) Max. $\eta$ Max.	Frequency Hz 50 Hz
	m <sup>3</sup> /h m <sup>3</sup> /h m <sup>3</sup> /h	m m	kW kW kW	
	25 75 48.4	32.9 26.5	5.45 4.92	

 Performance data based to: Water, pure [100%]; 20°C; 0.998kg/dm<sup>3</sup>; 1mm<sup>2</sup>/s

UNI EN ISO 9906:2012 - Grade 3B



Project

Project ID

Created by

 Created on  
**2021-08-05**

Last update

Revision no

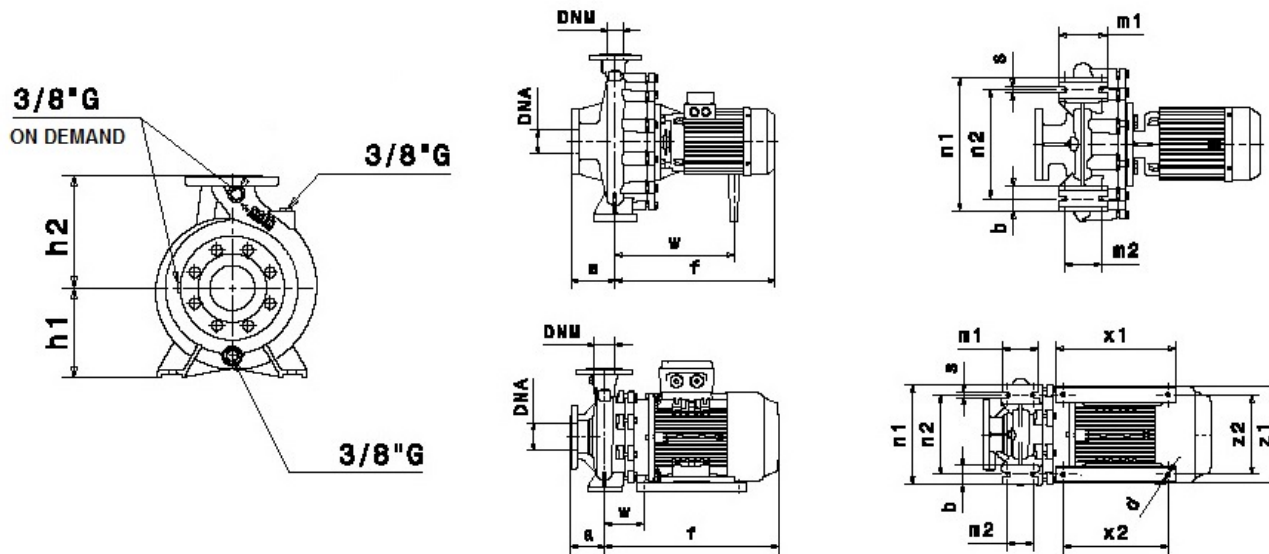
Pump dimensions

Connections

Suction side DN65 PN10 / PN16	Discharge port DN50 PN10 / PN16
-------------------------------------	---------------------------------------

Dimensions in mm

a	100
b	50
f	450
h1	160
h2	180
m1	100
m2	71
n1	265
n2	212
s	13
w	304



Disegni dimensionali e immagini non vincolanti. Saer si riserva il diritto di effettuare cambiamenti senza alcun preavviso.  
Dimensional drawing and picture are not binding. Saer reserves the right to make changes without prior notice.

Project

Project ID

Created by

Created on  
2021-08-05

Last update